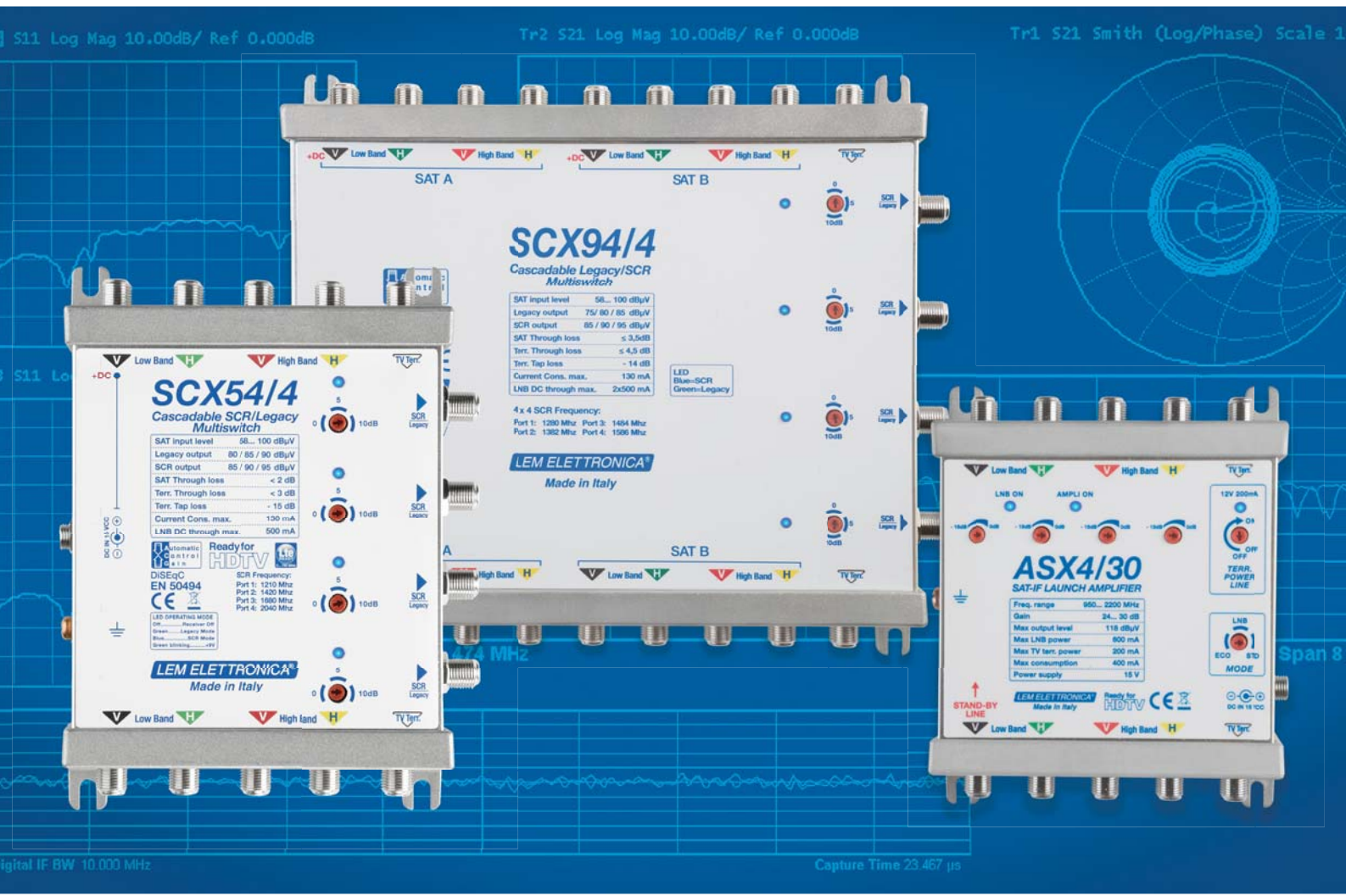
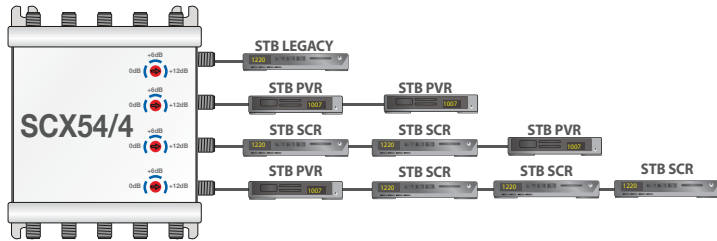


Autoswitching SCR/Legacy CASCADABLE MULTISWITCH 2015



AUTOSWITCHING SCR/LEGACY FUNCTION



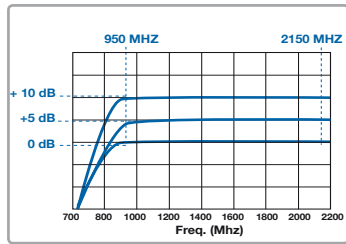
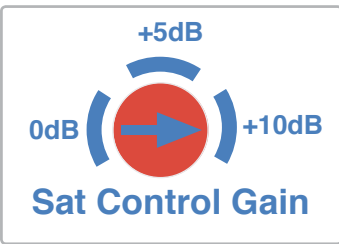
Each output tap of the SCX range can work as a single output of a standard multiswitch 13/18/22 KHz (Legacy) or as a SCR output. The setting detection is automatic.

AUTOMATIC INPUT LEVEL CONTROL



The Automatic Control Gain (A.C.G.) function makes the installation procedure easier and keeps the output levels steady under any weather condition.

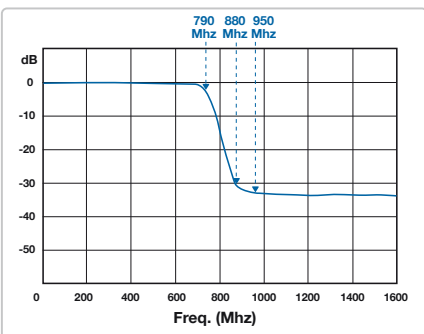
OUTPUT LEVEL LEGACY/SCR SETTING



The Sat Control Gain allows the selection of 3 different output levels for each tap of the multiswitch. This control enables a correct compensation of the loss due to the splitters and the taps or to the cable length.

LTE READY FILTER

TV/SAT 5... 790 MHz FILTER MIX



All the terrestrial TV mixing multiswitches are equipped with an output filter with 790 MHz cutoff frequency. This characteristic reduces the Lte interference impact on the terrestrial TV system.

SCX54 SERIES

5 CABLES - SCR / LEGACY

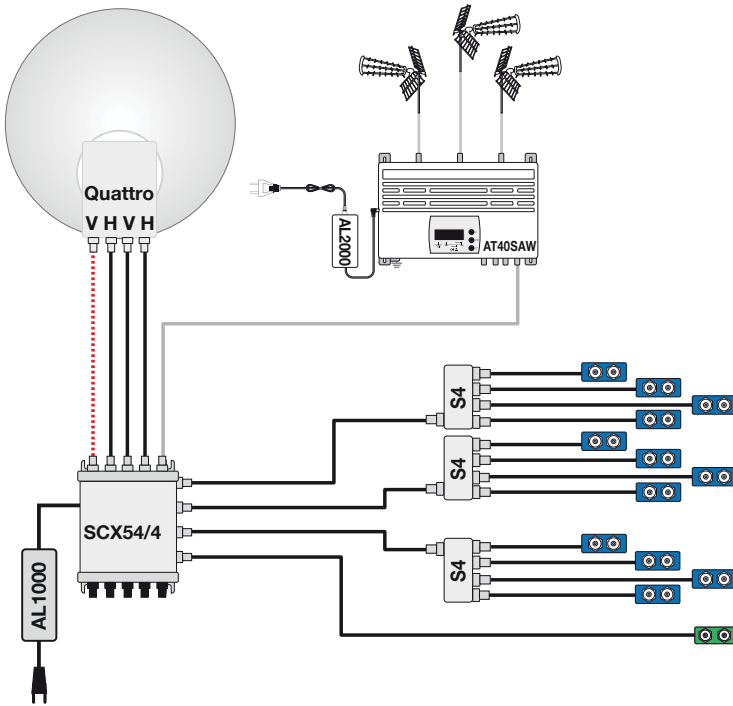
 **COMPLIES WITH EN 50494 AND BSKYB SOFTWARE**

- ▶ Automatic Legacy/SCR mode taps
- ▶ **4 SCR Frequencies**
- ▶ IF-SAT with Automatic Control Gain
- ▶ 3 step selectable Legacy/SCR output level
- ▶ Legacy/SCR Status Led
- ▶ LTE ready
- ▶ Low power consumption
- ▶ DC plug for LNB powering
- ▶ Return-channel 5 - 65 MHz

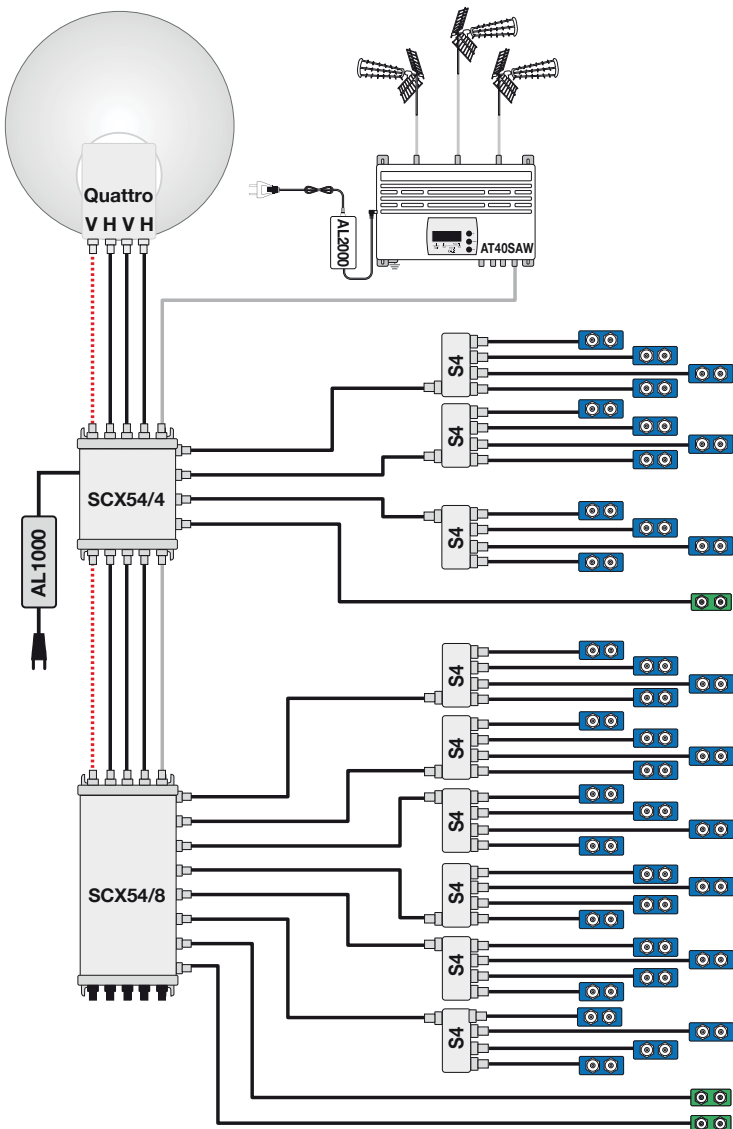


ITEM CODE		SCX54/4	SCX54/6	SCX54/8
TYPE		Cascadable	Cascadable	Cascadable
FREQUENCY BAND IF-SAT	MHz	950... 2200		
FREQUENCY BAND TERRESTRIAL TV	MHz	5... 790		
IN/OUT (IF-SAT + TERR. TV) No.		5 / 5		
NUMBER OF TAPS		4	6	8
INPUT LEVEL (C.A.G.)	dBµV	58...100		
OUTPUT LEVEL LEGACY	dBµV	70 / 76 / 82		
OUTPUT LEVEL SCR	dBµV	80 / 86 / 92		
GAIN ADJUSTER (LEGACY & SCR)	dB	0 / +6 / +12		
THROUGH LOSS IF-SAT	dB	< 2	< 3	< 4
THROUGH LOSS TERRESTRIAL TV	dB	< 2,5	< 4	< 5
TAP LOSS TERRESTRIAL TV	dB	-14	-16	-18
OUTPUT FREQUENCY SCR	MHz	CH.9: 1280	CH.11: 1382	CH.14: 1484
				CH.17: 1.586
CROSS-POLAR SAT ISOLATION	dB	> 30		
ISOLATION BETWEEN INPUTS	dB	> 30		
PHASE NOISE	dBc/Hz	-90 @ DELTA F=1KHZ		
RETURN LOSS	dB	> 12	> 12	> 12
REMOTE POWER LNB		Vertical low band Polarisation		
REMOTE SUPPLY MAX.	mA	500		
CONSUMPTION MAX. @ 14V	mA	160		
DIMENSIONS	mm	156 X 108 X 38	206 X 108 X 38	256 X 108 X 38

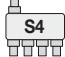



* CEI EN 50083-3 -35 dB IMA2



Example 1
 Network for **12 SCR** connections and **1 Legacy**. The LNB is powered by the DC power plug.

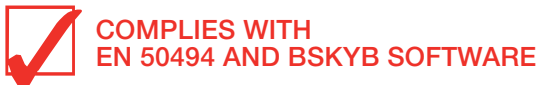


Example 2
 Network for **36 SCR** connections and **3 Legacy**. The LNB is powered by the DC power plug. The power supply AL1000 can be connected to any multiswitch.

-  Smart Splitter
-  SCR OUT + TV Terr. line
-  LEGACY OUT + TV Terr. line
-  LNB power path

SCX94 SERIES

9 CABLES - SCR / LEGACY

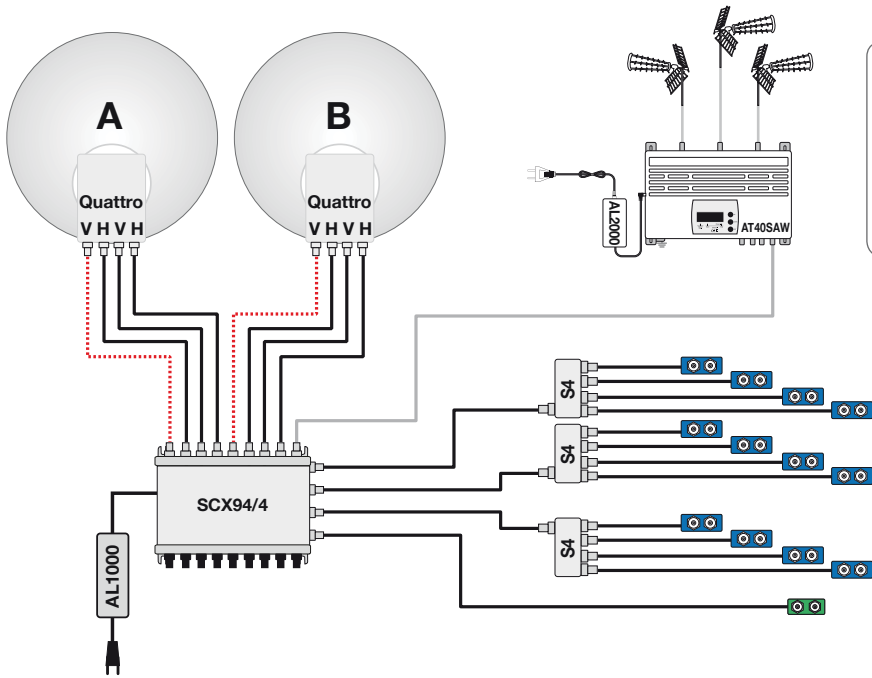


- ▶ Automatic Legacy/SCR mode taps
- ▶ **4 SCR Frequencies**
- ▶ Autoreverse function A/B to B/A position
- ▶ IF-SAT with Automatic Control Gain
- ▶ 3 step selectable Legacy/SCR output level
- ▶ Legacy/SCR Status Led
- ▶ LTE ready
- ▶ Low power consumption
- ▶ DC plug for LNB powering
- ▶ Return-channel 5 - 65 MHz



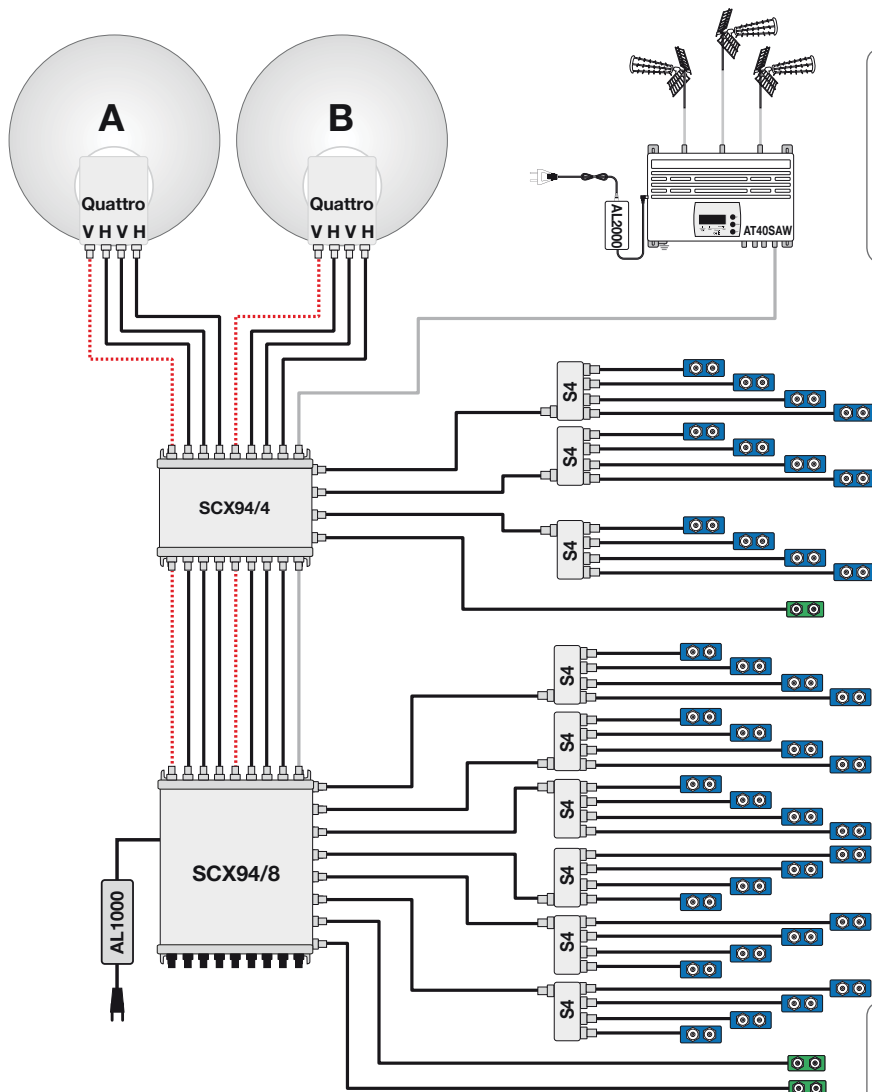
ITEM CODE		SCX94/4	SCX94/6	SCX94/8
TYPE		Cascadable	Cascadable	Cascadable
FREQUENCY BAND IF-SAT	MHz	950... 2200		
FREQUENCY BAND TERRESTRIAL TV	MHz	5... 790		
NUMBER OF IN/OUT (IF-SAT + TERR. TV)		9 / 9		
NUMBER OF TAPS		4	6	8
INPUT LEVEL (C.A.G.)	dBμV	60...100		
OUTPUT LEVEL LEGACY	dBμV	75 / 80 / 85		
OUTPUT LEVEL SCR	dBμV	85 / 90 / 95		
GAIN ADJUSTER (LEGACY & SCR)	dB	0 / +5 / +10		
THROUGH LOSS IF-SAT	dB	≤ 3,5	≤ 5,5	≤ 7
THROUGH LOSS TERRESTRIAL TV	dB	≤ 4,5	≤ 6	≤ 7,5
TAP LOSS TERRESTRIAL TV	dB	-14	- 16	- 18
OUTPUT FREQUENCY SCR (4X4)	MHz	CH.9: 1280	CH.11: 1382 CH.14: 1484	CH.17: 1.586
CROSS-POLAR SAT ISOLATION	dB	> 30	> 30	> 30
ISOLATION BETWEEN INPUTS	dB	> 30	> 30	> 30
PHASE NOISE	dBc/Hz	-90 @ DELTA F=1KHZ		
RETURN LOSS	dB	> 12	> 12	> 12
REMOTE POWER LNB		Vertical low band Polarisation		
REMOTE SUPPLY MAX.	mA	500		
CONSUMPTION MAX. @ 13V	mA	130		
DIMENSIONS	mm	210 x 188 x 38	210 x 254 x 38	210 x 324 x 38

* CEI EN 50083-3 -35 dB IMA2



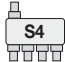



Example 1

Network for **12 SCR** connections and **1 Legacy**. The LNB is powered by the DC power plug.



Example 2

Network for **36 SCR** connections and **2 Legacy**. The LNB is powered by the DC power plug. The power supply can be connected to any multiswitch.

-  Smart Splitter
-  SCR OUT + TV Terr. line
-  LEGACY OUT + TV Terr. line
-  LNB power path

IF-SAT AMPLIFIERS

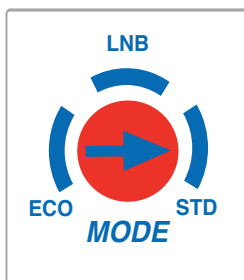
- ▶ IF-SAT 4 ways headend amplifier
- ▶ Gain adjuster for each input
- ▶ Optimised gain slope
- ▶ Power save mode
- ▶ Supply for QUATTRO-LNB (15V)
- ▶ Selectable 0/12V TV for Terr. remote power supply
- ▶ DC power input for external power supplier



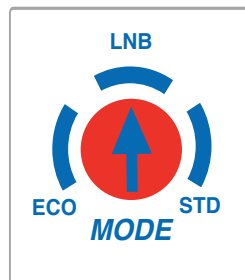
ITEM CODE	ASX4/30	ASX4/20
NUMBER OF IN/OUT	5 / 5	5 / 5
FREQUENCY BAND IF-SAT	950... 2200 MHz	
GAIN @950 MHZ	24 dB	15 dB
GAIN @2150 MHZ	30 dB	20 dB
TV TERR. LOSS	-0,5 dB	
IF-SAT GAIN ADJUSTER	4 x 0/-15 dB	
OUTPUT LEVEL MAX.	118 dBμV*	116 dBμV*
NOISE FIGURE	≤ 7 dB	
ISOLATION BETWEEN INPUTS	> 35 dB	
ISOLATION BETWEEN OUTPUTS	> 35 dB	
RETURN LOSS	> 12 dB	
QUATTRO-LNB POWERING	VL / HL / VH / HH (15V)	
LNB POWER	600mA total / 300mA single input	
AMPLIFIER CONSUMPTION	400mA@15V	200mA@15V
TV TERR. REMOTE POWER	12V 200mA	
DIMENSIONS	138 X 108 X 38	

* CEI EN 50083-3 -35 dB IMA2

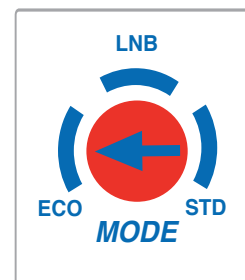
POWER SAVE MODE FUNCTION



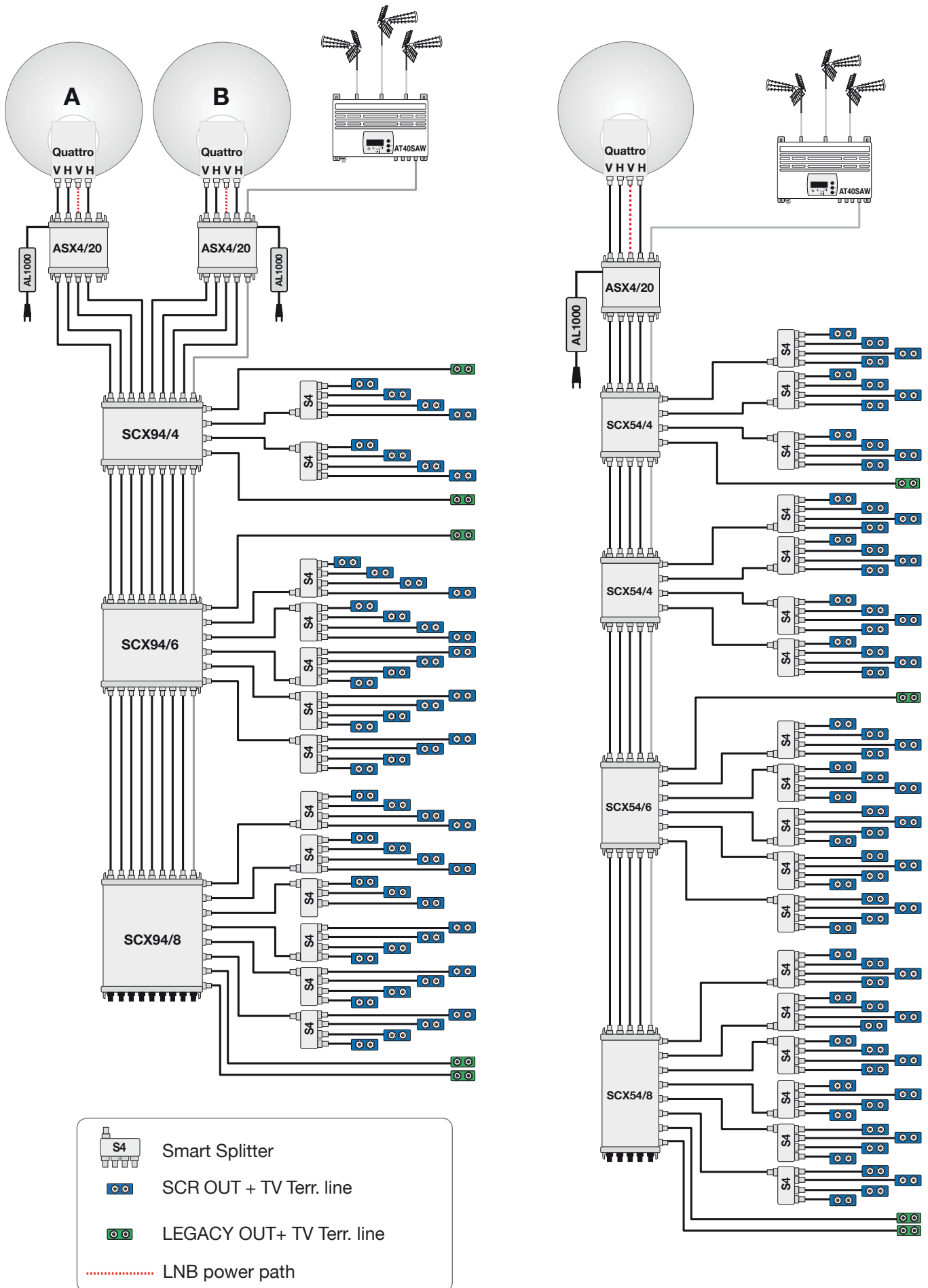
LNB = On
Ampli = On



LNB = On
Ampli = Stand-By



LNB = Stand-By
Ampli = Stand-By



AS44 / AS44/20

- ▶ IF-SAT 4 ways headend amplifier
- ▶ Gain adjuster for each input
- ▶ Fixed gain slope
- ▶ LNB powering from vertical high band input
- ▶ Plug for external power supply



ITEM CODE	AS44/20	AS44
TYPE	4 / 4	4 / 4
NUMBER OF IN/OUT	4 / 4	4 / 4
FREQUENCY BAND IF-SAT	950... 2200 MHz	
GAIN AT 950 MHZ	16 dB	16 dB
GAIN AT 2150 MHZ	20 dB	20 dB
IF-SAT GAIN ADJUSTER	0 / -12 B	0 / -12 dB
OUTPUT LEVEL MAX.	117 dBμV*	117 dBμV*
NOISE FIGURE	7 dB	7 dB
ISOLATION BETWEEN INPUTS	> 28 dB	> 28 dB
ISOLATION BETWEEN OUTPUTS	> 30 dB	> 30 dB
RETURN LOSS	> 12 dB	> 12 dB
LNB POWERING	Vertical / High Band	Vertical / High Band
CONSUMPTION MAX.	190 mA 15V	190 mA 15V
DIMENSIONS	80x71x27	80x71x27

TAPS & SPLITTERS

ITEM CODE	MS4/8	MS4/12
NUMBER OF INPUTS	4	
NUMBER OF OUTPUTS	8	12
FREQUENCY BAND	5 - 2200 MHz	
SIGNAL LOSS	- 4 dB	- 6 dB
ISOLATION BETWEEN INPUTS	> 40 dB	
ISOLATION BETWEEN OUTPUTS	> 20 dB	
RETURN LOSS	> 20 dB	
SUPPLY CURRENT MAX.	1.000 mA	
DIMENSIONS	85 x 95 x 27	95 x 95 x 27

Passive splitter conceived to distribute on 2 columns of the 4 IF-SAT polarizations.



ITEM CODE	MD4/4-10	MD4/4-15	MD4/4-20
NUMBER OF INPUTS	4		
NUMBER OF OUTPUTS	4		
NUMBER OF TAPS	4		
FREQUENCY BAND	900 - 2200 MHz		
THROUGH LOSS	- 0,7 dB		
TAP LOSS	- 10 dB	- 15 dB	- 20 dB
ISOLATION BETWEEN INPUTS	> 40 dB		
RETURN LOSS	> 15 dB		
SUPPLY CURRENT MAX.	1.000 mA		
DIMENSIONS	116 x 86 x 27		

Passive tap conceived to derive in 4 polarization plants.



SMART SPLITTERS



COMPLIES WITH
EN 50494 AND BSKYB SOFTWARE

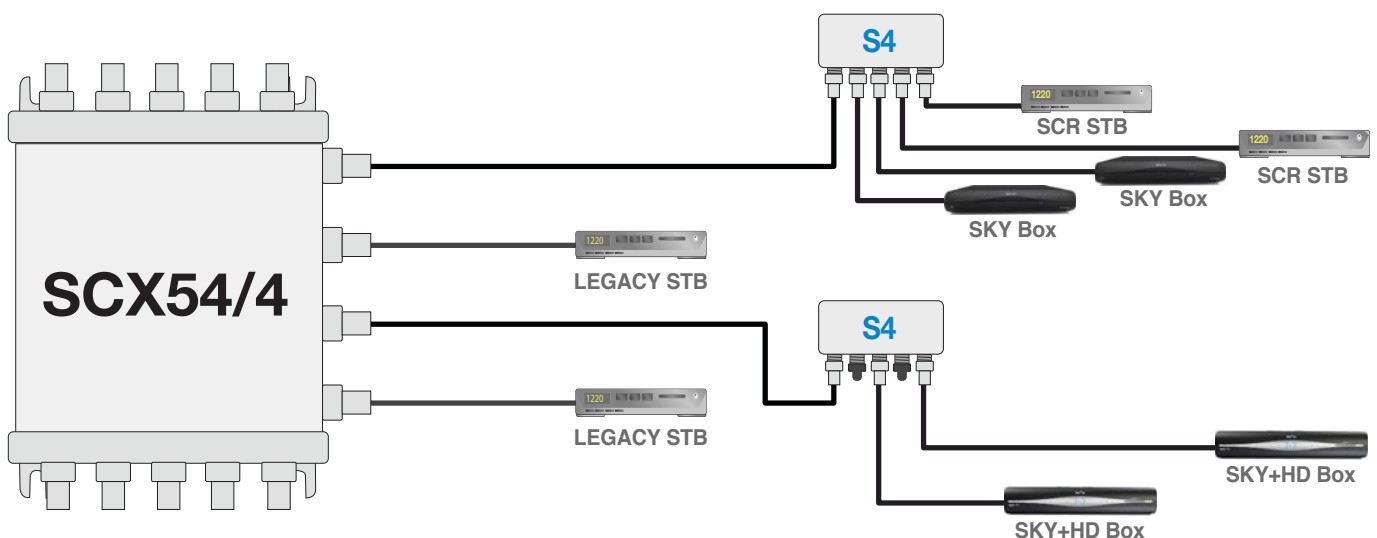
- ▶ Compact size
- ▶ 4 Way
- ▶ No power adapter required
- ▶ Buffers and sends out the different command signals

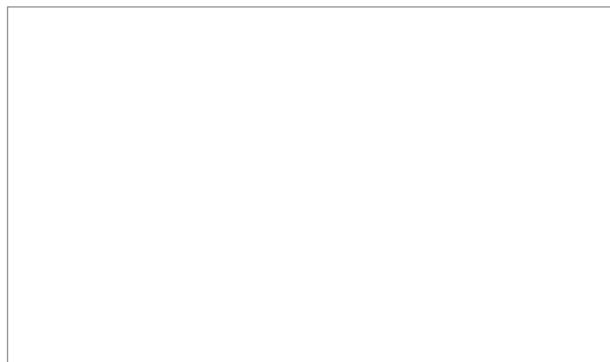


Standard splitters can give collisions when two commands come at the same time or when one of the step-top boxes uses a permanent high voltage. A smart splitter captures the commands of the different set-top boxes and serializes them to guarantee no collisions happen.

5 YEARS WARRANTY
Ready for HDTV

ITEM CODE		S4	SA4
TYPE		Passive	Active
WAY		4	
FREQUENCY	MHz	5... 2.300	900... 2.300
GAIN	dB	-	6
LOSS	dB	11	-
RETURN LOSS	dB	12	
DC POWER PASS	mA	500	
INPUT VOLTAGE	Volt	10... 20	
MESSAGE BUFFER		4 receiver port	
DIMENSIONS	mm	97 X 72 X 28	





Distributed by

**LEM ELECTRONICS UK LTD 3 Heywood Farm Cottages, Snowball Hill, Maidenhead BERKSHIRE SL6 3LU
Email: lee.mercer@leemercer.co.uk Tel: 07946 508128**