

# SCK54/1 SCK54/1T



COMPLIES WITH  
EN 50494 AND BSKYB SOFTWARE

- ▶ IF-SAT with Automatic Control Gain
- ▶ 3 step selectable SCR output level
- ▶ SCR Status Led
- ▶ 1 single cable for 4 SCR frequencies
- ▶ Tap output with 5 dB positive tilt
- ▶ LNB remote feeding from decoder
- ▶ Return-path 5 - 65 MHz

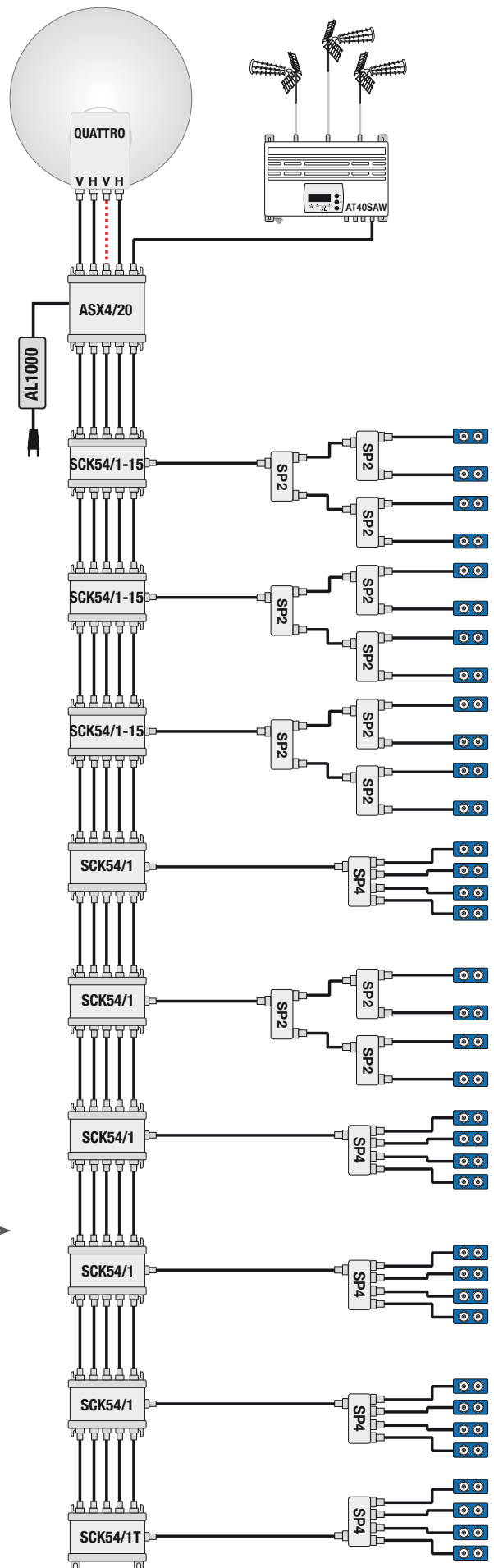
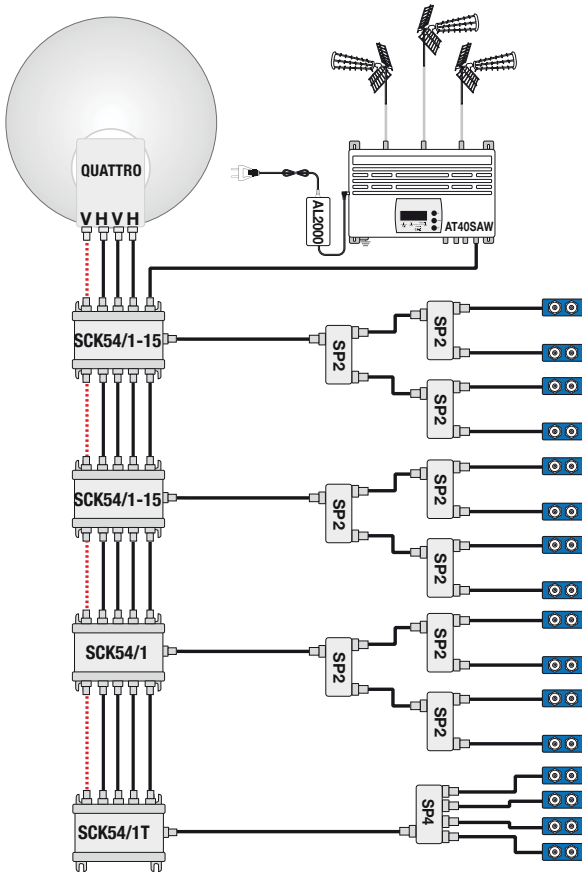


Stand-by mode




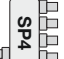


5 CABLES 1 TAP		SCK54/1	SCK54/1T
TYPE		CASCADABLE	END
IF-SAT FREQUENCY RANGE	MHz	950... 2200	
TV TERR. FREQUENCY RANGE	MHz	5... 790	
N° INPUTS / OUTPUTS		5 / 5	5 / 0
N° TAP		1	
IF-SAT INPUT RANGE	dBμV*	58... 100	
IF-SAT A.C.G. RANGE	dBμV*	60... 90	
IF-SAT TAP LEVELS	dBμV*	85/90/95	
THROUGH LOSS IF-SAT	dB	≤1	-
THROUGH LOSS TV TERR.	dB	≤ 2	-
TAP LOSS TV TERR.	dB	- 7	- 7
RETURN CHANNEL TAP LOSS (5... 65 MHz)	dB	- 7	- 7
SEPARATION IF-SAT / TV TERR.	dB	≥ 50	
SCR FREQUENCIES ADDRESS (1X4)	MHz	CH.9: 1280, CH.11: 1382, CH.14: 1484, CH.17: 1586	
SCR STANDARD		EN50494 / BSKyB	
CROSS-POL. ISOLATION	dB	> 30	> 30
INPUTS - OUTPUTS ISOLATION	dB	> 30	> 30
PHASE NOISE	dBc/Hz	-90 @ DELTA F=1KHz	
RETURN LOSS	dB	> 12	
LNB POWER LINE		Vertical Low Band	
MAXIMUM LNB POWER	mA	300	
MAXIMUM CURRENT DRAIN @ 13V	mA	130	
DIMENSIONS	mm	117x83x38	

\*CEI EN 50083-3 -35 dB IMA2



**Example 1**  
 Network for **16** connections IF-SAT + Terrestrial. The LNB is powered by the decoder through the Vertical Low band line.

**Example 2**  
 Network for **36** connections IF-SAT + Terrestrial. The LNB is powered by the head amplifier **ASX4/20** through the Vertical High band line.

-  SCR output + TV Terr. line
-  Four-way splitter with diodes
-  Two-way splitter with diodes
-  LNB power path