

**LEM ELETTRONICA®**

# TV TERRESTRIAL PROGRAMMABLE AMPLIFIERS



WINDOWS



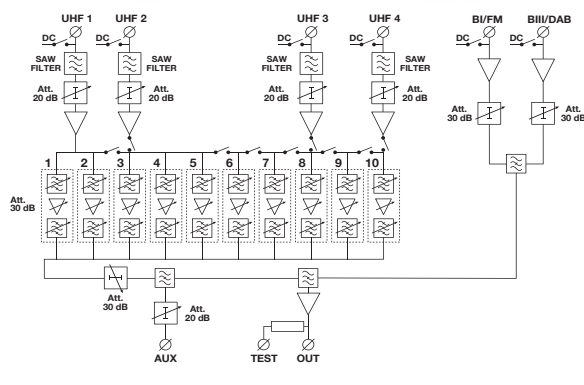
ANDROID



**MADE IN  
ITALY**

# AT50SAW

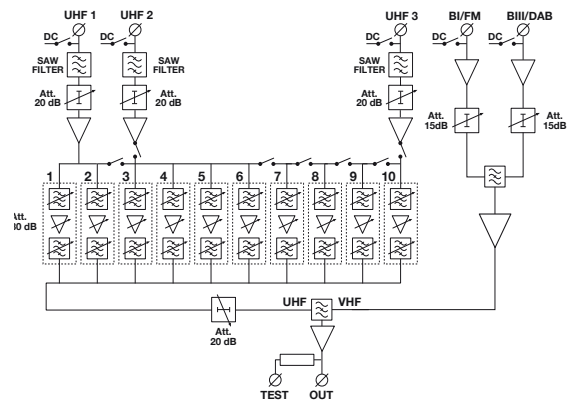
- ▶ UHF inputs Lte protected by SAW FILTERS 470... 790 MHz
- ▶ Gain 50 dB / 123 dB $\mu$ V\*
- ▶ Low noise < 6dB
- ▶ AUTOLEVELING function for self-aligning of UHF clusters
- ▶ USER PASSCODE
- ▶ Programmable through unit key
- ▶ Pc Windows and Tablet Android programmable
- ▶ 10 UHF clusters 1... 6 channels
- ▶ 4 UHF inputs for 15 selectable configurations
- ▶ Die casting chassis



AT50SAW																																																																																		
NUMBER OF UHF INPUTS		4x (470... 790 MHz)																																																																																
NUMBER OF VHF INPUTS		1 BI/FM (40... 108 MHz) 1 BIII/DAB (170... 320 MHz)																																																																																
NUMBER OF AUX INPUTS		1 (40... 862 MHz)																																																																																
NUMBER OF OUTPUTS		1																																																																																
TEST OUTPUT		1 (-30 dB)																																																																																
NUMBER OF PROGRAMMABLE CLUSTERS		10																																																																																
NUMBER OF CHANNELS PER CLUSTER		1... 6 (8... 48 MHz) 60 channels																																																																																
INPUT CONFIGURATIONS																																																																																		
*IM3 DIN 45004B - 60 dBc (analogic channels)																																																																																		
		<table border="1"> <thead> <tr> <th></th> <th>UHF1</th> <th>UHF2</th> <th>UHF3</th> <th>UHF4</th> </tr> </thead> <tbody> <tr><td></td><td>10</td><td>0</td><td>0</td><td>0</td></tr> <tr><td></td><td>9</td><td>0</td><td>0</td><td>1</td></tr> <tr><td></td><td>8</td><td>0</td><td>0</td><td>2</td></tr> <tr><td></td><td>7</td><td>0</td><td>3</td><td>0</td></tr> <tr><td></td><td>6</td><td>0</td><td>4</td><td>0</td></tr> <tr><td></td><td>5</td><td>0</td><td>5</td><td>0</td></tr> <tr><td></td><td>7</td><td>0</td><td>2</td><td>1</td></tr> <tr><td></td><td>6</td><td>0</td><td>3</td><td>1</td></tr> <tr><td></td><td>6</td><td>0</td><td>2</td><td>2</td></tr> <tr><td></td><td>5</td><td>0</td><td>4</td><td>1</td></tr> <tr><td></td><td>5</td><td>0</td><td>3</td><td>2</td></tr> <tr><td></td><td>2</td><td>5</td><td>2</td><td>1</td></tr> <tr><td></td><td>2</td><td>4</td><td>3</td><td>1</td></tr> <tr><td></td><td>2</td><td>4</td><td>2</td><td>2</td></tr> <tr><td></td><td>2</td><td>3</td><td>3</td><td>2</td></tr> </tbody> </table>		UHF1	UHF2	UHF3	UHF4		10	0	0	0		9	0	0	1		8	0	0	2		7	0	3	0		6	0	4	0		5	0	5	0		7	0	2	1		6	0	3	1		6	0	2	2		5	0	4	1		5	0	3	2		2	5	2	1		2	4	3	1		2	4	2	2		2	3	3	2
	UHF1	UHF2	UHF3	UHF4																																																																														
	10	0	0	0																																																																														
	9	0	0	1																																																																														
	8	0	0	2																																																																														
	7	0	3	0																																																																														
	6	0	4	0																																																																														
	5	0	5	0																																																																														
	7	0	2	1																																																																														
	6	0	3	1																																																																														
	6	0	2	2																																																																														
	5	0	4	1																																																																														
	5	0	3	2																																																																														
	2	5	2	1																																																																														
	2	4	3	1																																																																														
	2	4	2	2																																																																														
	2	3	3	2																																																																														
INPUT ATTENUATORS VHF-UHF	dB	0... -20																																																																																
CLUSTER GAIN ADJUSTER	dB	0... -30																																																																																
MAX UHF INPUT LEVEL	dB $\mu$ V	100*																																																																																
VHF-UHF GAIN	dB	47 - 50																																																																																
MAX OUTPUT LEVEL VHF-UHF	dB $\mu$ V	123*																																																																																
NOISE FIGURE	dB	VHF < 6,0 UHF < 6,0																																																																																
CLUSTERS SELECTIVITY +/- 10 MHZ	dB	12																																																																																
RETURN LOSS IN/OUT	dB	>12																																																																																
REMOTE POWER SUPPLY VHF-UHF INPUTS		12V/200 mA 24V/100 mA																																																																																
POWER SUPPLY		230 VAC +/-10% 16W																																																																																
DIMENSIONS	mm	320 x 260 x 60																																																																																

# AT40SAW

- ▶ UHF inputs Lte protected by SAW FILTERS 470... 790 MHz
- ▶ Gain 40 dB / 119 dBμV\*
- ▶ Low noise < 6dB
- ▶ AUTOLEVELING function for self-aligning UHF clusters
- ▶ USER PASSCODE
- ▶ Programmable through unit key
- ▶ Pc Windows and Tablet Android programmable
- ▶ 10 UHF clusters 1... 6 channels
- ▶ 3 UHF inputs for 9 selectable configurations
- ▶ Die casting chassis





Ready for  
**HDTV**



ENERGY SAVING

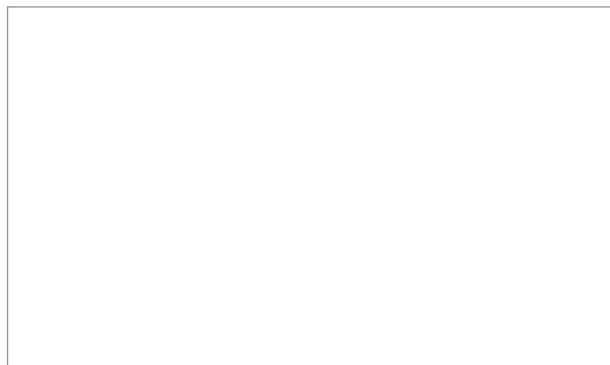


5... 790 MHz



PROTECTED

AT40SAW				
NUMBER OF UHF INPUTS		3x (470... 790 MHz)		
NUMBER OF VHF INPUTS		1 BI/FM (40... 108 MHz) 1 BIII/DAB (170... 320 MHz)		
NUMBER OF OUTPUTS		1		
NUMBER OF PROGRAMMABLE CLUSTERS		10		
NUMBER OF CHANNELS PER CLUSTER		1... 6 (8... 48 MHz)		
INPUT CONFIGURATIONS		UHF1	UHF2	UHF3
*IM3 DIN 45004B - 60 dBc		10	0	0
		9	0	1
		8	0	2
		7	0	3
		6	0	4
		2	6	2
		2	5	3
		2	4	4
		2	7	1
INPUT ATTENUATORS VHF-UHF	dB	VHF 0...-15 UHF 0... -20		
CLUSTER GAIN ADJUSTER	dB	0... -30		
MAX UHF INPUT LEVEL	dBμV	100*		
UHF GAIN	dB	35		
VHF GAIN	dB	40		
MAX OUTPUT LEVEL VHF-UHF	dBμV	119*		
NOISE FIGURE	dB	VHF < 6,0 UHF < 6,0		
CLUSTERS SELECTIVITY +/- 10 MHZ	dB	12		
RETURN LOSS IN/OUT	dB	>12		
TEST OUTPUT		1 (-30 dB)		
REMOTE POWER SUPPLY VHF-UHF INPUTS		12V / 100 mA 24 V / 100 mA		
POWER SUPPLY		230 VAC +/-10% 12W (External Adapter DC 7,5 Volt 2A)		
DIMENSIONS	mm	247 x 200 x 40		



**Distributed by**

**LEM ELECTRONICS UK LTD 3 Heywood Farm Cottages, Snowball Hill, Maidenhead BERKSHIRE SL6 3LU  
Email: lee.mercer@leemercer.co.uk Tel: 07946 508128**